

## **MA6900 FINAL ASSEMBLY**

### **INSTRUCTIONS FOR COUNTRY GROUPS 01-08 AND 10**

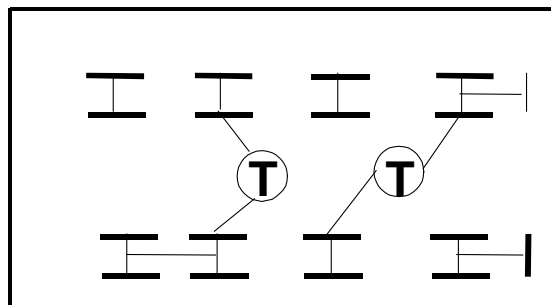
The MA6900 is designed for use in Country Groups 01-08 and 10. All conversions are performed by moving two identical thermistors located on the Power Transformer Terminal Block to new locations as illustrated.

### **COUNTRY GROUP 01 - USA AND OTHERS**

Parts Required:

- 1 – MA6900
- 1 – 089104 Fuse (T 6.3AL 250V SB)
- 1 – 170937 Line Cord Set
- 1 – 125412 CSA Certification Label

Step 1: Wire Power Transformer Terminal Block as illustrated in Figure 1.  
Step 2: Insert Fuse P/N 089104 into Rear Panel and apply label 125412.



**Fig. 1 Wired for 120VAC Operation**

## COUNTRY GROUP 02 - JAPAN

### Parts Required:

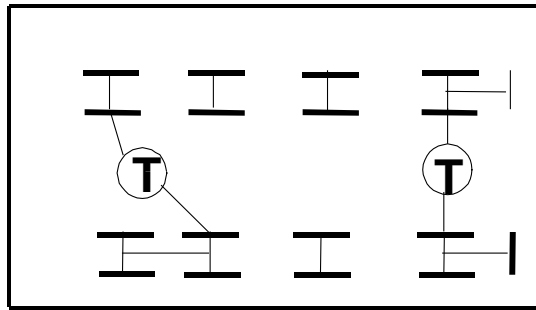
- 1 – MA6900
- 1 – 126873 Input Rating Decal (100V~ 50/60Hz 5.2A)
- 1 – 125781 Line Cord Tag (100V)
- 1 – 170937 Line Cord Set
- 1 – 089104 Fuse (T 6.3AL 250V SB)

Step 1: Wire Power Transformer Terminal Block as illustrated in Figure 2.

Step 2: Change the screened Rear Panel Input Rating to 100V~ 50/60Hz 5.2A with P/N 126873.

Step 3: Tag Line Cord P/N 170937 with P/N 125781 (100V) and ship with Unit.

Step 4: Insert Fuse P/N 089104 into Rear Panel.



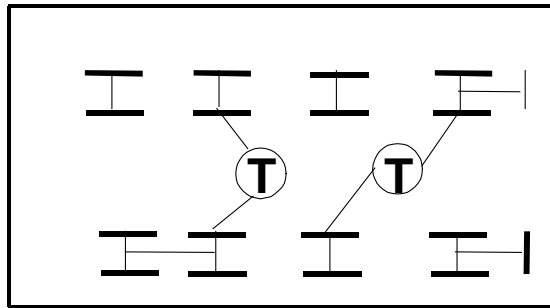
**Fig. 2 Wired For 100VAC Operation**

### COUNTRY GROUP 03 - TAIWAN

Parts Required:

- 1 – MA6900
- 1 – 125731 Date of Manufacture Decal
- 1 – 126876 Input Rating Decal (110V~ 60Hz 4.8A)
- 1 – 126095 Line Cord Tag (110V)
- 1 – 089104 Fuse (T 6.3AL 250V SB)
- 1 – 170937 Line Cord Set

- Step 1: Wire Power Transformer Terminal Block as illustrated in Figure 3.
- Step 2: Insert Fuse P/N 089104 into Rear Panel and apply Decals.
- Step 3: Changed screened Rear Panel Input Rating to 110V~ 60Hz 4.8A using P/N 126876.
- Step 4: Tag Line Cord P/N 170937 with P/N 126095 (110V) and ship with Unit.



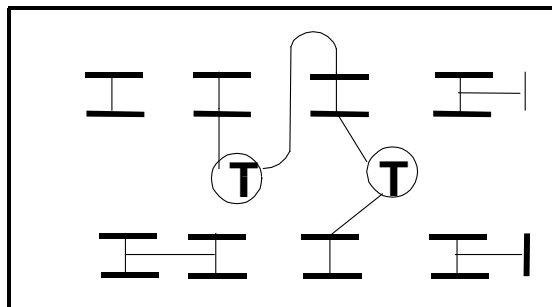
**Fig. 3 Wired for 120VAC Operation**

## COUNTRY GROUP 04 - ENGLAND

### Parts Required:

- 1 – MA6900
- 1 – 126877 Input Rating Decal (230V~50/60Hz 2.35A)
- 1 – 125783 Line Cord Tag (230V)
- 1 – 170378 Line Cord Set For England
- 1 – 089098 Fuse (T 3.15AL 250V SB) IEC
- 4 – 017727 Plug (Black)
- 4 – 017726 Plug (Red)
- 1 – 126679 Fuse Replacement Decal (T 3.15AL 250V SB)

- Step 1: Wire Power Transformer Terminal block as illustrated in Figure 4.
- Step 2: Insert Fuse P/N 089098 into Rear Panel and affix Fuse Replacement Decal P/N 126679.
- Step 3: Change screened Rear Panel Input Rating to 230V~50/60Hz 2.35A using P/N 126877.
- Step 4: Tag Line Cord P/N 170378 with P/N 125783 (230V) and ship with Unit.
- Step 5: Place Red Plugs P/N 017726 and Black Plugs P/N 017727 into appropriate output terminal connector.



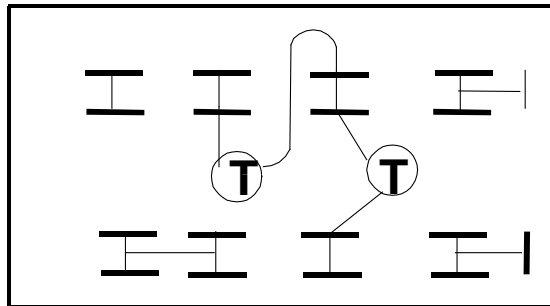
**Fig. 4 Wired for 240VAC Operation**

## COUNTRY GROUP 05 - EUROPE

### Parts Required:

- 1 – MA6900
- 1 – 126877 Input Rating Decal (230V~ 50/60Hz 2.35A)
- 1 – 125783 Line Cord Tag (230V)
- 1 – 170200 Line Cord Set
- 1 – 089098 Fuse (T 3.15AL 250V SB) IEC
- 1 – 126679 Fuse Replacement Decal (T 3.15AL 250V SB)
- 4 – 017726 Plug (Red)
- 4 – 017727 Plug (Black)

- Step 1: Wire Power Transformer Terminal block as illustrated in Figure 5.
- Step 2: Insert Fuse P/N 089098 into Rear Panel and affix Fuse Replacement Decal P/N 126679.
- Step 3: Change screened Rear Panel Input Rating to 230V~50/60Hz 2.35A using P/N 126877.
- Step 4: Tag Line Cord P/N 170200 with P/N 125783 (230V) and ship with Unit.
- Step 5: Place Red Plugs P/N 017726 and Black Plugs P/N 017727 into appropriate output terminal connector.



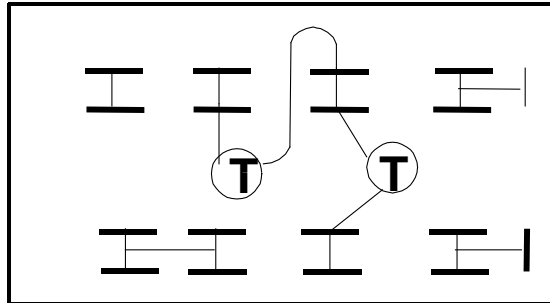
**Fig. 5 Wired for 240VAC Conversion**

## COUNTRY GROUP 06 - AUSTRALIA

### Parts Required:

- 1 – MA6900
- 1 – 170989 Line Cord Set for Australia
- 1 – 126679 Fuse Replacement Decal (T 3.15AL 250V SB)
- 1 – 089098 Fuse (T 3.15AL 250V SB)
- 1 – 126878 Input Rating Decal (240V~50/60Hz 2.25A)
- 1 – 125784 Line Cord Tag (240V)
- 1 – 126897 Australian Cert Label

- Step 1: Wire Power Transformer Terminal block as illustrated in Figure 6.
- Step 2: Insert Fuse P/N 089098 into Rear Panel and affix Fuse Replacement Decal P/N 126679.
- Step 3: Change screened Rear Panel Input Rating to 240V~50/60Hz 2.25A using P/N 126878 and apply "Australian Cert Label" 126897 to products rear panel.
- Step 4: Tag Line Cord P/N 170989 with P/N 125784 (240V) and ship with Unit.



**Fig. 6 Wired for 240VAC Conversion**

## COUNTRY GROUP 07 - SAUDI ARABIA

### Parts Required:

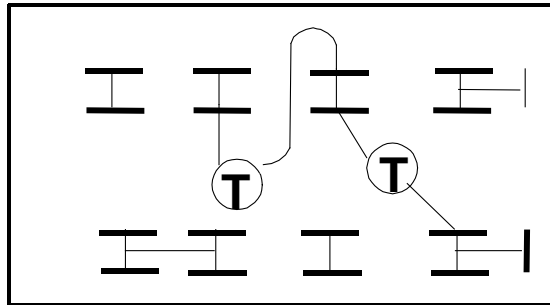
- 1 – MA6900
- 1 – 170200 Line Cord Set for Europe
- 1 – 126679 Fuse Replacement Decal (T 3.15AL 250V SB)
- 1 – 089098 Fuse (T 3.15AL 250V SB)
- 1 – 126879 Input Rating Decal (220V~50/60Hz 2.45A)
- 1 – 125398 Line Cord Tag (220V)

Step 1: Wire Power Transformer Terminal block as illustrated in Figure 7.

Step 2: Insert Fuse P/N 089098 into Rear Panel and affix Fuse Replacement Decal P/N 126679.

Step 3: Change screened Rear Panel Input Rating to 220V~50/60Hz 2.45A using P/N 126879.

Step 4: Tag Line Cord P/N 170200 with P/N 125398 (220V) and ship with Unit.



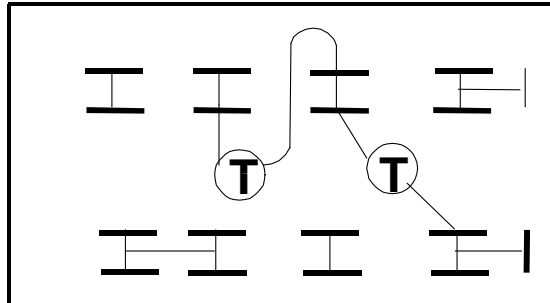
**Fig. 7 Wired for 220VAC Operation**

## COUNTRY GROUP 08 - KOREA

### Parts Required:

- 1 – MA6900
- 1 – 126791 Tom Chung's Korean Regulatory Decal
- 1 – 126679 Fuse Replacement Decal (T 3.15AL 250V SB)
- 1 – 089098 Fuse (T 3.15AL 250V SB)
- 1 – 126879 Input Rating Decal (220V~50/60Hz 2.45A)
- 1 – 125398 Line Cord Tag (220V)
- 1 – 171477 Korean Certified Line Cord Set
- 1 – 126860 KTL Required Address Label
- 1 – 126889 KTL Certification Label
- 1 – 125731 Date of Manufacture Label

- Step 1: Wire Power Transformer Terminal block as illustrated in Figure 8.
- Step 2: Insert Fuse P/N 089098 into Rear Panel and affix Fuse Replacement Decal P/N 126679.
- Step 3: Change the screened Rear Panel Input Rating to 220V~50/60Hz 2.45A using P/N 126879.
- Step 4: Tag Line Cord P/N 171477 with P/N 125398 (220V) and ship with Unit.
- Step 5: Apply Tom Chung's Korean Regulatory Decal P/N 126791 to Unit.
- Step 6: Apply labels 126860, 125731 and 126889 to product.



**Fig. 8 Wired for 220VAC Operation**

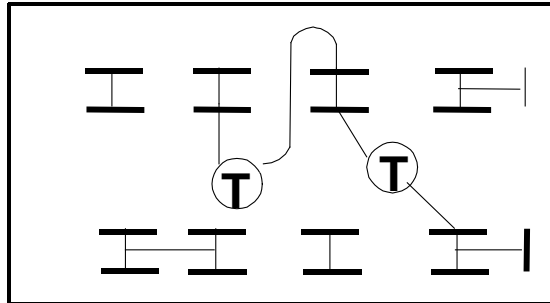


## COUNTRY GROUP 10 - HONG KONG

### Parts Required:

- 1 – MA6900
- 1 – 171159 Line Cord Set
- 1 – 126679 Fuse Replacement Decal (T 3.15AL 250V SB)
- 1 – 089098 Fuse (T 3.15AL 250V SB)
- 1 – 126880 Input Rating Decal (220V~50Hz 2.45A)
- 1 – 125398 Line Cord Tag (220V)

- Step 1: Wire Power Transformer Terminal block as illustrated in Figure 9.
- Step 2: Insert Fuse P/N 089098 into Rear Panel and affix Fuse Replacement Decal P/N 126679.
- Step 3: Change the screened Rear Panel Input Rating to 220V~50Hz 2.45A using P/N 126880.
- Step 4: Tag Line Cord P/N 171159 with P/N 125398 (220V) and ship with Unit.



**Fig. 9 Wired for 220VAC Operation**

### **NOTES:**

- |          |                  |  |
|----------|------------------|--|
| 04/05/02 | PE Share updated | Inputs from Lee Savidge.   |
| 06/17/02 | CN# 16639        | Adds CSA Certification Label to Group 1.   |
| 06/26/02 | CN# 16606        | Country Group 8 is KTL Certified-Change Adds/Deletes components in order to meet KTL requirements. |
| 08/19/02 | CN# 16672        | Adds " Australian Cert Label " 126897 to Group 6 product.  |